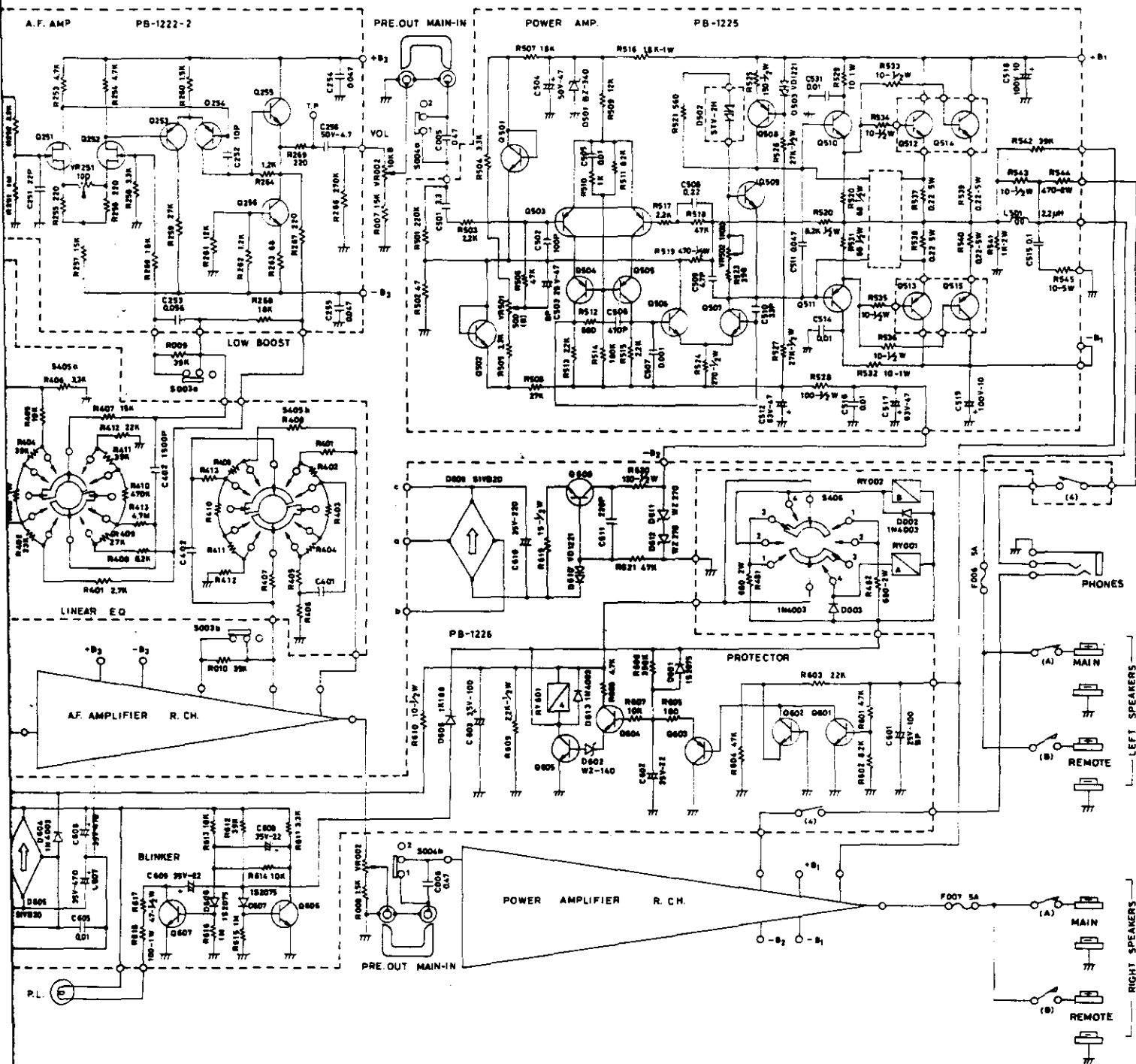


- P.T.**
 U MODEL P-2336
 J MODEL P-2337
 S MODEL P-2338
 E MODEL P-2338
- F001**
 U MODEL 6A-125V
 J MODEL 25D526
 S MODEL 315A 250V
- RELAYS**
 RY 001, RY 002 MAT4-CRJ
 RY 101 TECK-45-0H
 RY 102, RY 103, RY 601 FRL-644D12/2A5

- TRANSISTORS**
- PB-1221
 Q101 2SA836
 ● PB-1222
 Q201, Q202, Q251, Q252 2SK68A
 Q203, Q204, Q205, Q206 2SA836
 Q253, Q254 2SA836
 Q207, Q208, Q255, Q256 2SC1345
 Q281 2SD526
 Q282 2SB596
 ● PB-1225
 Q501, Q502 2SC458
 Q503 2SA798
 Q504, Q505, Q517 2SA872A
 Q506, Q507 2SD756
 Q508 2SB716
 Q509, Q516 2SC1775A
 Q510 2SC2336
- Q511 2SA1006
 Q512, Q514 2SC2525
 Q513, Q515 2SA1075
 ● PB-1226
 Q601, Q602 2SC1345
 Q604, Q606 2SA836
 Q603 2SA836
 Q605, Q607 2SC2235
 Q608 2SC1625
- SWITCHES**
 S001 FUNC1
 S002 MODE
 S003 LOW I
 S004 FILTE
 S005 POWE
 S301 PHON
 S401 MON1
 S402 DUBB
 S403 DUBB
 S404 SUBSC
 S405 LINEA
 S406 SPEAR
- VOLUME**
 VR001 BALA
 VR002 VOLU



SWITCHES

- 5001---FUNCTION (1. AUX 2. TUNER 3. PHONO-1 4. PHONO-2 5. PHONO-MC)
- 5002---MODE (1. MONO 2. STEREO 3. REVERSE)
- 5003---LOW BOOST (1. OFF 2. ON)
- 5004---FILTER (1. GENERAL SPEAKER 2. ELECTRO STATIC SPEAKER)
- 5005---POWER SW (1. OFF 2. ON)
- 5301---PHONO IMPEDANCE (1. LOW 2. HIGH)
- 5401---MONITOR (1. MONI 1 2. SOURCE 3. MONI 2)
- 5402---DUBBING (1. FROM 2 2. SOURCE 3. REC. OFF)
- 5403---DUBBING (1. FROM 1 2. SOURCE 3. REC. OFF)
- 5404---SUBSONIC (1. 20HZ 2. FLAT 3. 10HZ)
- 5405---LINEAR EQUALIZER (1. UPTILT 2 2. UPTILT 1 3. FLAT 4. DOWNTILT 1 5. DOWNTILT 2)
- 5406---SPEAKER SELECT (1. OFF 2. REMOTE 3. MAIN 4. MAIN REMOTE)

VOLUME

- VR00---BALANCER
- VR01---VOLUME CONT.
- VR201, VR251---DC OFFSET ADJ.
- VR501---DC OFFSET ADJ.
- VR502---BIAS CURRENT ADJ.

1. UNLESS OTHERWISE SPECIFIED, ALL RESISTORS ARE IN OHM $\frac{1}{4}$ WATT. ALL CAPACITORS ARE IN MICRO FARAD.
2. TRANSISTORS AND DIODES MAY BE REPLACED WITH ANY TYPE HAVING COMPARABLE RATINGS.
3. DUE TO CONTINUED IMPROVEMENTS LUX RESERVE THE CIRCUIT OR SPECIFICATIONS.

ULTIMATE HIGH FIDELITY

